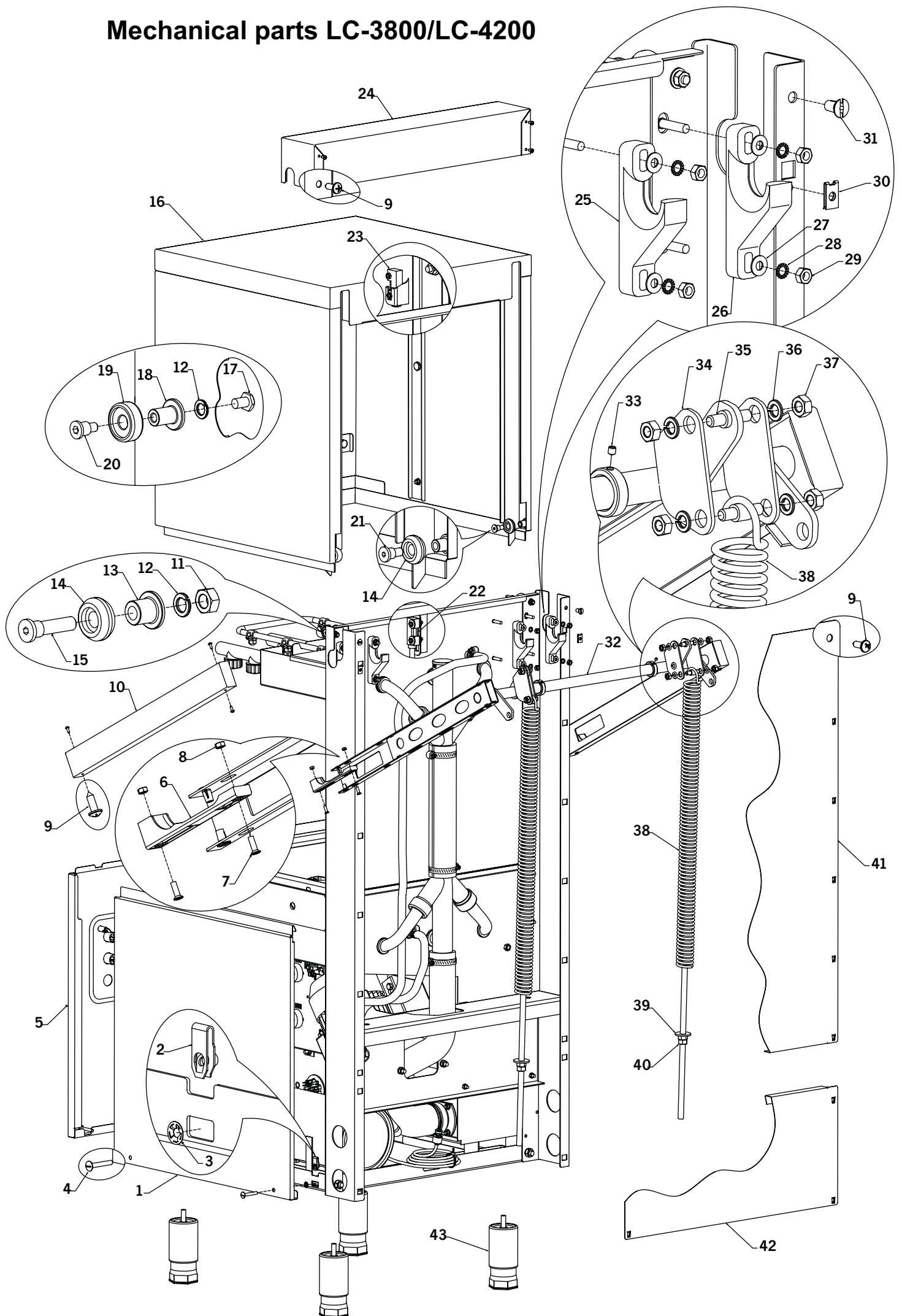


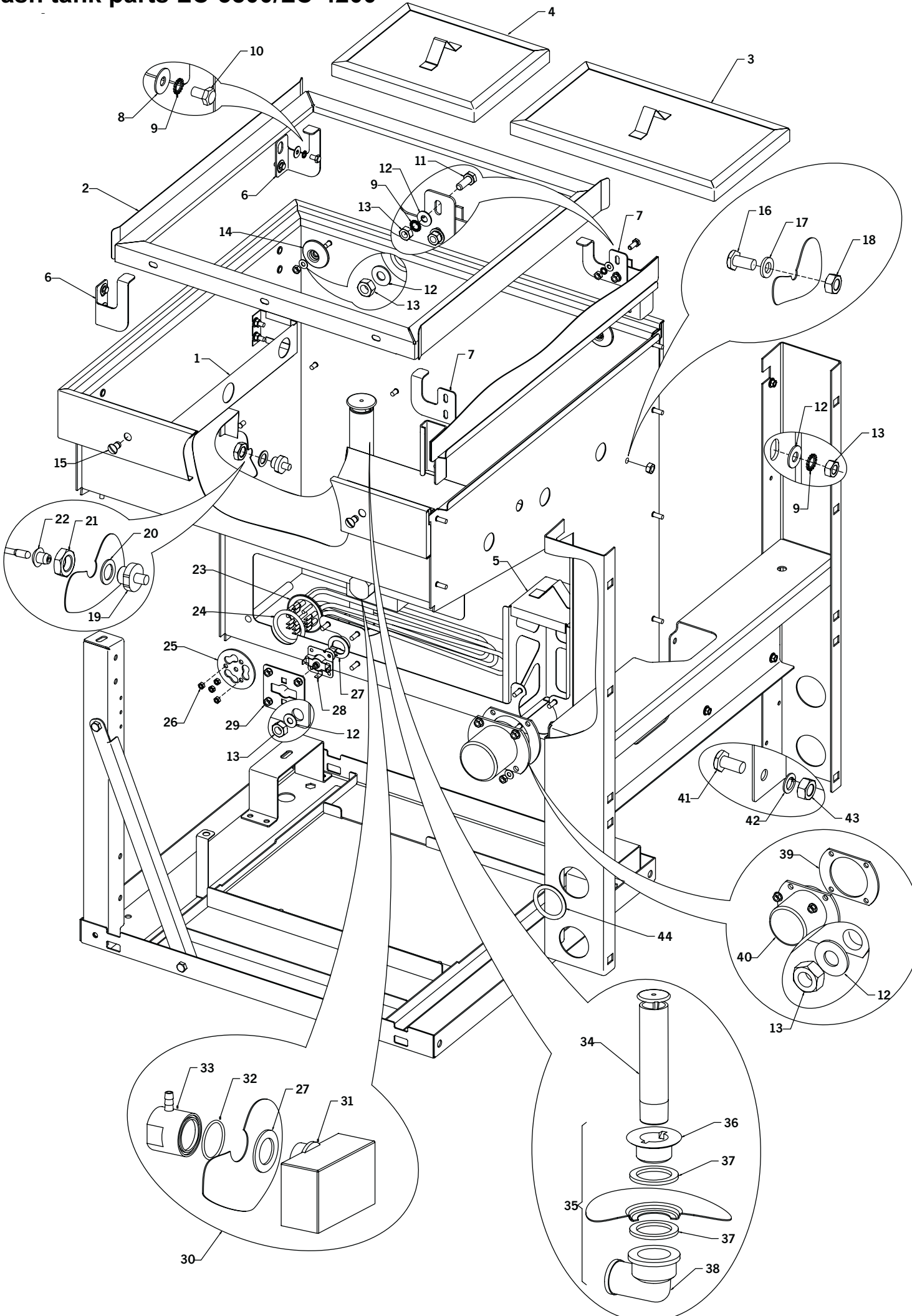
Mechanical parts LC-3800/LC-4200



Mechanical parts LC-3800/LC-4200

NUMBER	CODE	DENOMINATION
1	A007152F2A	LATERAL INFERIOR STAINLESS STEEL COVER ASSEMBLY LC-3800/4200
2	A060045	U LOCK NUT M6 LUN 016-POIL
3	A060167	SAFETY WASHER M6
4	A060136	SLOTTED HEAD SCREW A2 II9056 M6*40
5	A320044/1	CONTROL PANEL ASSEMBLY LC-3800 WITH TEMPERATURE INDICATORS
5	A320045/1	CONTROL PANEL ASSEMBLY LC-4200 WITH TEMPERATURE INDICATORS
6	A040704	HOOD LEVER GUIDE WHEEL
7	A060134	COUNTERSUNK PHILLIPS HEAD SCREW DIN 965 M5*16
8	A060021	STAINLESS STEEL TANK HEATING ELEMENT FIXING NUT M5 LC-2300TR/2800/3800/4200
9	A060123	DISPENSER STAINLESS STEEL SCREW C/EX. M6*55
10	A007084F4	HOOD ARM COVER LC-3800/4200
11	A060023	STAINLESS STEEL NUT M8
12	A060156	STAINLESS STEEL GROWER WASHER M10
13	A050141	HOOD OUTER GUIDE SEPARATOR LC-3800/4200
14	A040703	HOOD GUIDE WHEEL
15	A050139	HOOD INNER GUIDE WHEELS AXLE
16	A470012	HOOD ASSEMBLY LC-3800/4200
17	A060113	STAINLESS STEEL SCREW M10*15 C/E
18	A050137	HOOD HANDLE GUIDE SEPARATOR GUIDE SEPARATOR LC-3800/4200
19	A040702	HOOD HANDLE GUIDE WHEEL
20	A050136	HANDLE GUIDE WHEEL AXLE LC-3800/4200
21	A050138	HOOD OUTER GUIDE WHEELS AXLE
22	A030250	MAGNETIC SWITCH
23	A030252	MAGNET (ALL MODELS)
24	A007412F2	REAR FOLDED TOP COVER LC-3800/4200
25	A040291I	SPRING INNER SUPPORT LC-3800/4200
26	A040291E	SPRING OUTER SUPPORT LC-3800/4200
27	A709100	CONDENSER FAN SUPPORT CLAMPING WASHER
28	A060151	MAGNETIC SHAFT TOOTHED WASHER DIN 6798 M6
29	A060024	MAGNETIC CASE FASTENING WASHER M6
30	A060041	U LOCK NUT TR-536 B
31	A040705	HOOD LEVER CLAMPING NYLON NUT
32	A470011	HOOD ARMS ASSEMBLY LC-3800/4200
33	A060131	GALVANISED STUD DIN 914 M-5X6
34	A050019	SPRING STAINLESS STEEL STOP BILLET LC-3800/4200
35	A050135	HANDLE GUIDE SUPPORT AXLE LC-3800/4200
36	A060160	STAINLESS STEEL GROWER WASHER M8
37	A060022	STAINLESS STEEL BOILER HEATING ELEMENT FIXING NUT M8
38	A060068	TRACTION SPRING LC-3800/4200
39	A080204	PUNCHED WASHER 35X3 LC-3800/4200
40	A060025	STAINLESS STEEL NUT M12
41	A007182F2	REAR UPPER FOLDED COVER LC-3800/4200
42	A007172F2	REAR LOWER FOLDED COVER LC-3800/4200
43	A050186	LEVELLING FEET LC-3800/4200

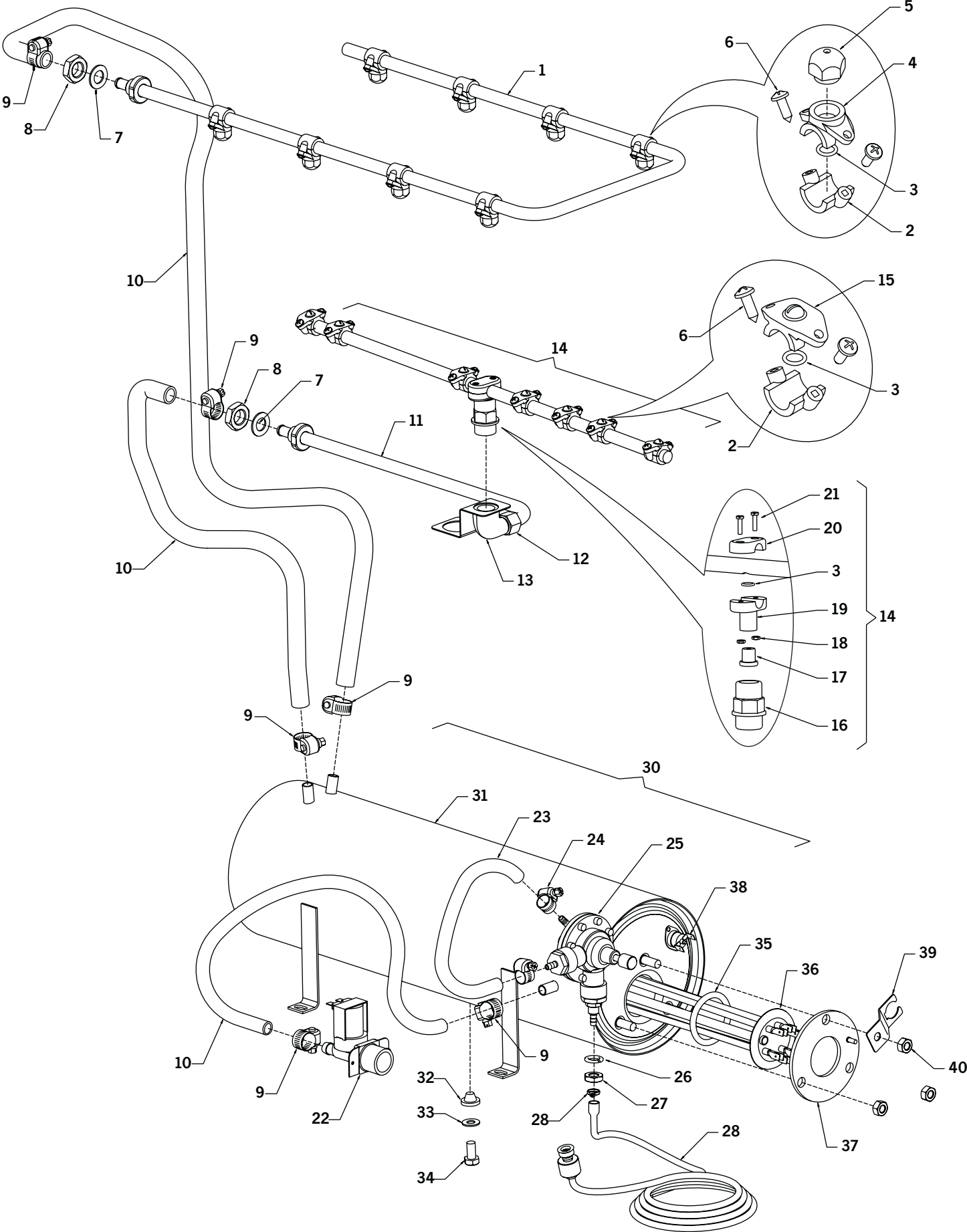
Wash tank parts LC-3800/LC-4200



Wash tank parts LC-3800/LC-4200

NUMBER	CODE	DENOMINATION
1	A007332F2	LOWER FOLDED WASH SHAFT SUPPORT LC-3800/4200
2	A700406	RACK SUPPORT ASSEMBLY LC-3800/4200
3	A430012	TANK LONG FILTER LC-3800/4200
4	A430013	TANK SHORT FILTER LC-3800/4200
5	A430014	INTAKE FILTER LC-3800/4200
6	A007342F2	FRONT FOLDED BASKET GUIDE SUPPORT LC-3800/4200
7	A007362F2	REAR FOLDED BASKET GUIDE SUPPORT LC-3800/4200
8	A709096	INOX WASHER 17*6,2*1,0
9	A060151	MAGNETIC SHAFT TOOTHED WASHER DIN 6798 M6
10	A060115	STAINLESS STEEL SCREW M6*10 C/E
11	A060133	STAINLESS STEEL SCREW M6X16 C/E
12	A709100	CONDENSER FAN SUPPORT CLAMPING WASHER
13	A060024	MAGNETIC CASE FASTENING WASHER M6
14	A040701	HOOD CENTERING STOP LC-3800/4200
15	A050090	LOWER FIXING NUT M6
16	A060104	STAINLESS STEEL SCREW M8*10 C/E
17	A040037	FLAT RUBBER GASKET 15*8*2
18	A060022	STAINLESS STEEL BOILER HEATING ELEMENT FIXING NUT M8
19	A050034	STAINLESS STEEL PROBE CAP
20	A040013	FLAT CLAMPING 23,5*15*1,5
21	A060027E	STAINLESS STEEL GRIP NUT DIN 936 M16
22	A040319	THERMOMETER PROBE RUBBER FIXING
23	A030015	TANK HEATING ELEMENT 5000 W
24	A040026	BLACK RUBBER O-RING 46*6
25	A030404	TANK FLAT HEATING ELEMENT CLAMP WASHER
26	A060021	STAINLESS STEEL TANK HEATING ELEMENT FIXING NUT M5 LC-2300TR/2800/3800/4200
27	A040043	PRESSURE SWITCH HOOD RUBBER GASKET
28	A030067/4	SAFETY THERMOSTAT THREE PHASE TANK HEATING ELEMENT T30-90°C WITHOUT CLAMPING
29	A000421F1	TANK SAFETY THERMOSTAT FASTENING
30	A700102	PRESSURE SWITCH AIR BELL ASSEMBLY
31	A040308	PRESSURE SWITCH HOOD BODY
32	A040024	PRESSURESTAT HOOD O-RING 33*29*2
33	A040304	PRESSURE SWITCH HOOD HEAD
34	A040212	PLASTIC DRAIN PLUG (LC-3800/4200)
35	A700007/1	DRAIN CONNECTOR ASSEMBLY (LC-3800/4200)
36	A040128	FILTER RINSING AID LIQUID DISPENSER EXIT CONNECTOR
37	A040011	FLAT CLAMPING 63*46*2
38	A040175	DRAINING ELBOW LC-3800/4200
39	A040053	FILTER CONNECTOR GASKET WITH HOLES
40	A040119	LARGE PLASTIC FILTER CONNECTOR
41	A060110	STAINLESS STEEL SCREW M10*20 C/E
42	A060156	STAINLESS STEEL GROWER WASHER M10
43	A060023	STAINLESS STEEL NUT M8
44	A040320	PROTECTION FEED-THROUGH

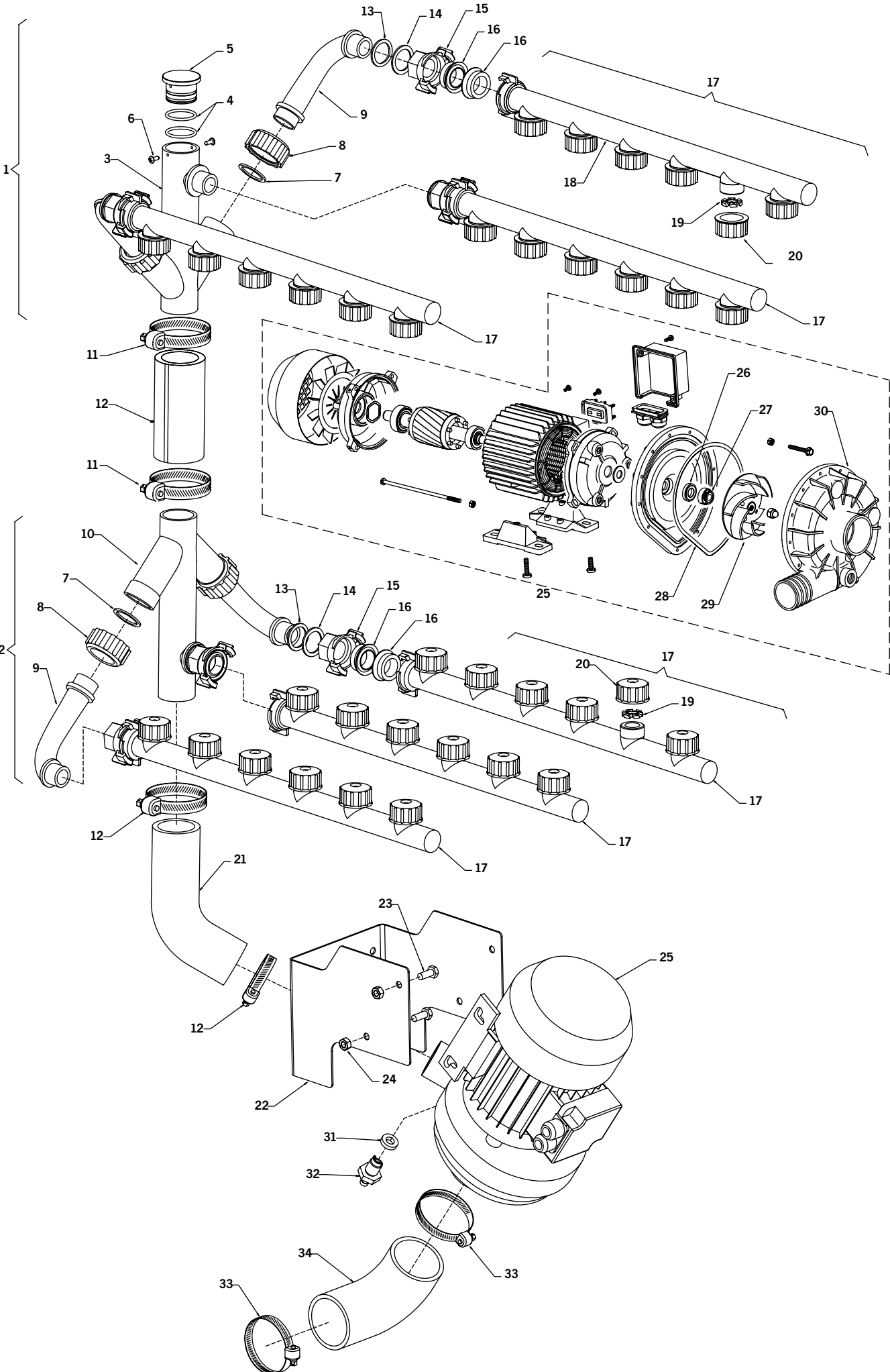
Rinsing system parts LC-3800/LC-4200



Rinsing system parts LC-3800/LC-4200

NUMBER	CODE	DENOMINATION
1	A220006I	STAINLESS STEEL UPPER RINSE SHAFT ASSEMBLY LC-3800/4200
2	A040075	RINSE INJECTOR SUPPORT
3	A040029	O-RING 6,07*1,78
4	A040076	FIXED RINSE INJECTOR SUPPORT
5	A040080	RINSE INJECTOR
6	A060123	DISPENSER STAINLESS STEEL SCREW C/EX. M6*55
7	A040040	RINSE CONNECTOR FLAT GAKET
8	A060027E	STAINLESS STEEL GRIP NUT DIN 936 M16
9	A060171	HYDRAULIC TUBE CLAMP
10	A040101	HYDRAULIC CIRCUIT HOSE
11	A210008I	STAINLESS STEEL LOWER RINSE SHAFT ASSEMBLY LC-3800/4200
12	A050082I	FIXING NUT LOWER RINSING SHAFT
13	A040073	ELBOW WITH PLASTIC THREAD 1/2 GAS
14	A230008I	STAINLESS STEEL ROTATING SHAFT ASSEMBLY LC-3800/4200
15	A040074	ROTATORY RINSE INJECTOR
16	A040225	ROTATING SHAFT SUPPORT
17	A050102	ROTATING SHAFT FIXING SCREW
18	A060019	MAGNETIC SWITCH FASTENING WASHER DIN 934 A-2 M3
19	A040078	ROTATORY SHAFT LOWER FLY WHEEL
20	A040077	ROTATORY SHAFT UPPER FLY WHEEL
21	A060117	STAINLESS STEEL SCREW DIN.84 A2 M3*12
22	A020030	1-WAY SOLENOID VALVE
23	A040100	13 X 5 RUBBER TUBE
24	A060170	8/16 CLAMP
25	A200001/2	RINSE AID LIQUID DOSER FILTER ASSEMBLY
26	A060155	GALVANISED GROWER WASHER M10
27	A060023E	STAINLESS STEEL GRIP NUT DIN 936 M10
28	A070303	NYLON Q-TIES REF.: 2221
29	A040105	PLASTIC TUBE
30	A270008	BOILER (HEATING ELEMENT INCLUDED) LC-3800/4200
31	A270007	BOILER (HEATING ELEMENT NOT INCLUDED) LC-3800/4200
32	A040049	BOILER DRAIN TAPERED GASKET
33	A709098	BOILER PLUG STAINLESS WASHER
34	A060105	BOILER PLUG STAINLESS SCREW M8*16 C/E
35	A040026	BLACK RUBBER O-RING 46*6
36	A030017	THREE-PHASE BOILER HEATING ELEMENT
37	A060158	SPECIAL BOILER HEATING ELEMENT FIXING WASHER Ø90*4
38	A030067/1	BOILER SAFETY THERMOSTAT T40-95°C
39	A000412F2	BOILER SAFETY THERMOSTAT FASTENING
40	A060022	STAINLESS STEEL BOILER HEATING ELEMENT FIXING NUT M8

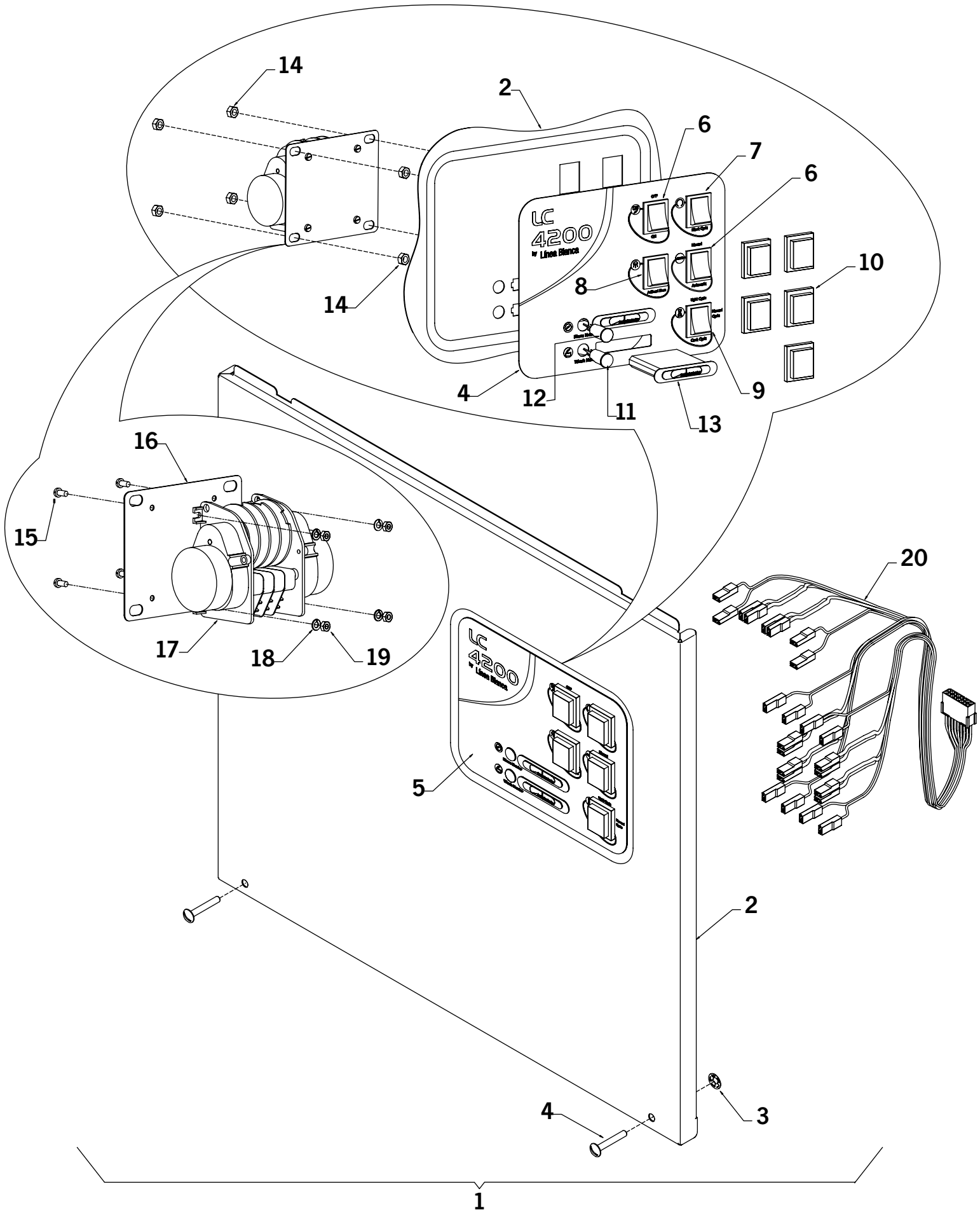
Washing system parts LC-3800/LC-4200



Washing system parts LC-3800/LC-4200

NUMBER	CODE	DENOMINATION
1	A400008	UPPER DISTRIBUTOR ASSEMBLY LC-1700/3800/4200
2	A700106	LOWER DISTRIBUTOR ASSEMBLY LC-1700 A LC-4200
3	A4000081F2	SHORT UPPER DISTRIBUTOR LC-1700/3800/4200
4	A040027	BLACK RUBBER O-RING 30*3
5	A040232	DISTRIBUTOR PLUG (LC-1700/3800/4200)
6	A060123	DISPENSER STAINLESS STEEL SCREW C/EX. M6*55
7	A040042	DISTRIBUTOR ELBOW INNER FLAT GASKET
8	A040144	DISTRIBUTOR ELBOW HOLD DOWN NUT
9	A040161	DISTRIBUTOR ELBOW
10	A040231	LOWER DISTRIBUTOR (LC-1500)
11	A060173	DRAIN TUBE FASTENING CLAMP
12	A040233	DISTRIBUTOR KLENAIR-20 SPLICE (INNER \varnothing 45 OUTER \varnothing 61MM)
13	A040012	FLAT RUBBER CLAMPING 34*26*2 EXT. D
14	A040057	PRESSURE CONNECTOR FLAT GASKET KLINGERIT
15	A040143	BAYONET TYPE NUT
16	A040050	WASH SHAFT TAPERED GASKET
17	A280026	WASH SHAFT ASSEMBLY LC-3800/4200
18	A040254	WASH SHAFT LC-3800/4200
19	A040180	6MM D. JET STAR
20	A040201	WASH SHAFT JET PLUG
21	A040173	PUMP IMPULSION ELBOW LC-3800/4200
22	A007482F2	PUMP FOLDED SUPPORT LC-3800/4200
23	A060084	GALVANIZED SCREW M8*20 C/E
24	A060003	NUT GALVANIZED M8
25	A020023	1,5HP THREE PHASE PUMP
26	A020039	AGITATOR SHAFT RETAINER (CERAMIC)
27	A020038	AGITATOR SHAFT RETAINER (SPRING)
28	A020943	PUMP COVER GASKET
29	A020913	PUMP IMPELLER
30	A020903	PLASTIC PUMP COVER 1,5HP
31	A040058	PRESSURE CONNECTOR FLAT GASKET
32	A0500411	RINSING AID LIQUID DOSER IMPULSE STARTER STAINLESS STEEL CONNECTOR FROM MODEL LC-1700 UP TO LC-4200
33	A060174	SUCTION ELBOW CLAMP
34	A040162	SUCTION ELBOW

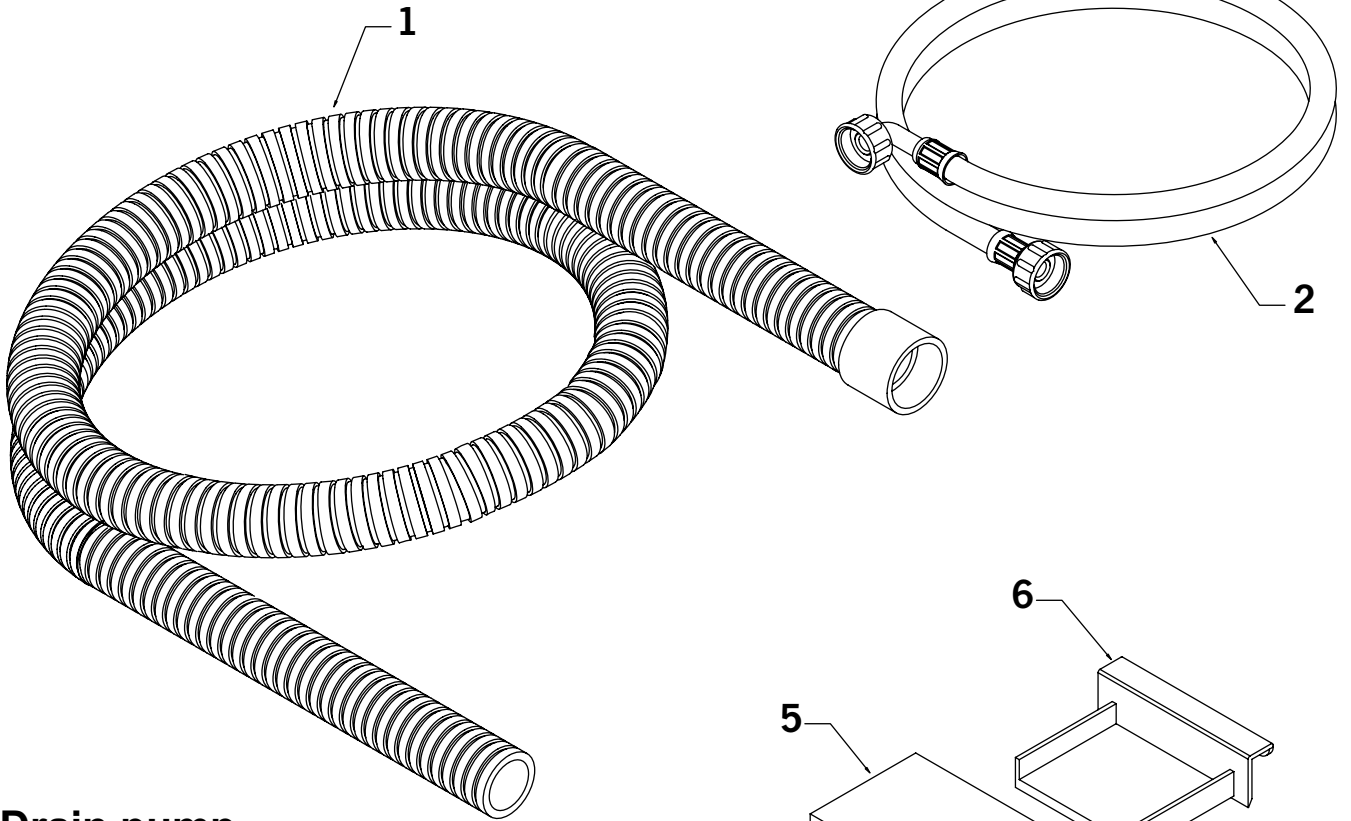
Control Panel LC-4200



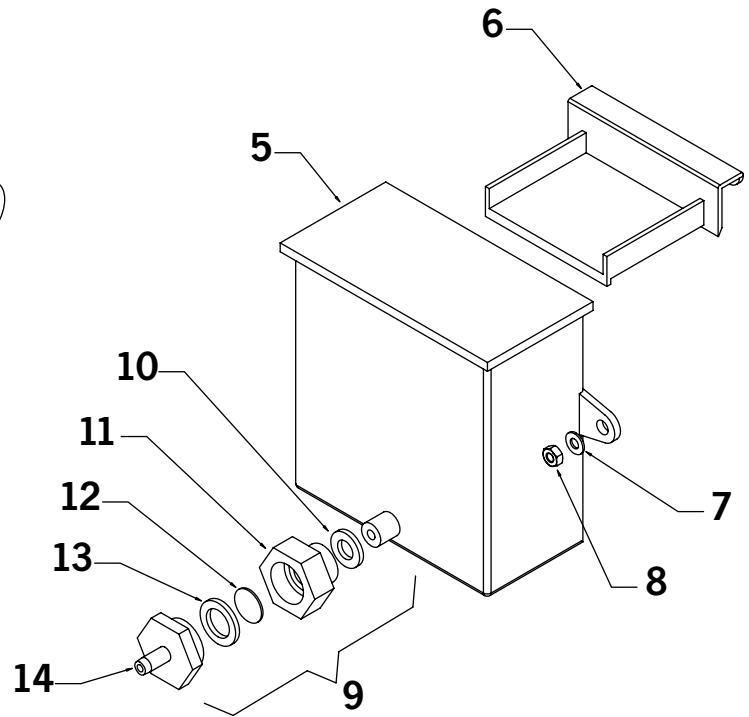
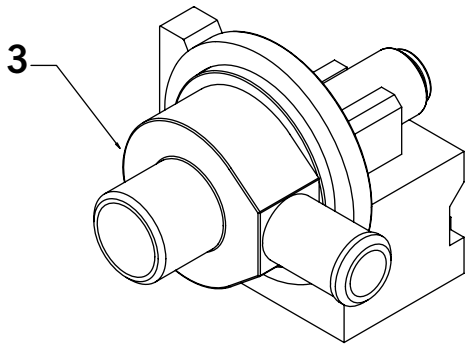
Control Panel LC-4200

NUMBER	CODE	DENOMINATION
1	A320045/1	CONTROL PANEL ASSEMBLY LC-4200 WITH TEMPERATURE INDICATORS
2	A3200452F3/1	LOWER FOLDED FRONT PANEL LC-4200 FOR TEMPERATURE INDICATORS WITHOUT COMPONENTS
3	A060167	SAFETY WASHER M6
4	A060136	SLOTTED HEAD SCREW A2 II9056 M6*40
5	A070712T	THERMOMETER CONTROL PANEL STICKER LC-4200
6	A030037	RECTANGULAR SWITCH
7	A030045/1	AMBER ELECTRONIC SWITCHER
8	A030045	YELLOW ELECTRONIC SWITCHER
9	A030037/1	RED 3 POSITION SWITCH
10	A030054	RECTANGULAR PROTECTOR
11	A030099	GREEN PILOT LIGHT D222 220VFAST.6,3 LED
12	A030097	RED PILOT LIGHT D222 220VFAST.6,3 LED
13	A030087	RECTANGULAR LIQUID EXPANSION THERMOMETER
14	A060024	MAGNETIC CASE FASTENING WASHER M6
15	A060079	RELAY SETSCREW M4 *8/10
16	A007021F1	DUAL TIMER SUPPORT LC-3800/4200
17	A0300602	DUAL FUNCTION (LIGHT/NORMAL) TIMER
18	A060165	STAINLESS STEEL GROWER WASHER M4 DIN 127
19	A060001	NUT GALVANIZED M4
20	A370053	CONTROL PANEL CABLE BUNDLE LC-4200

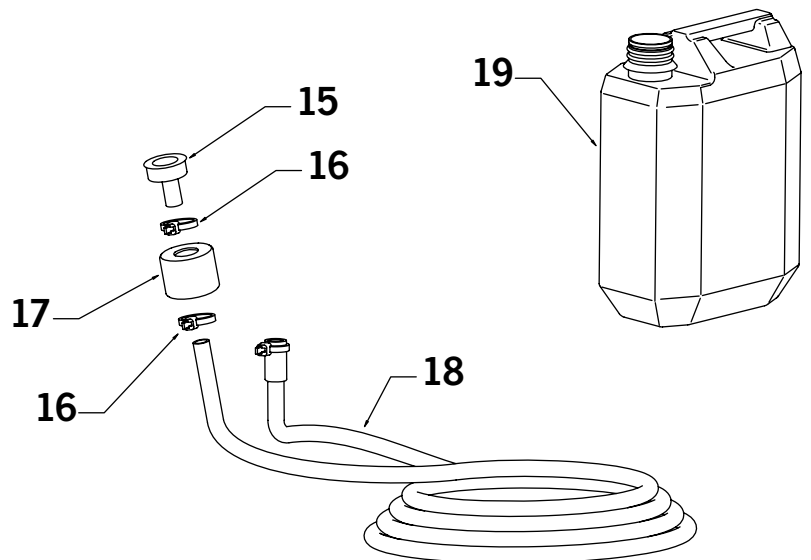
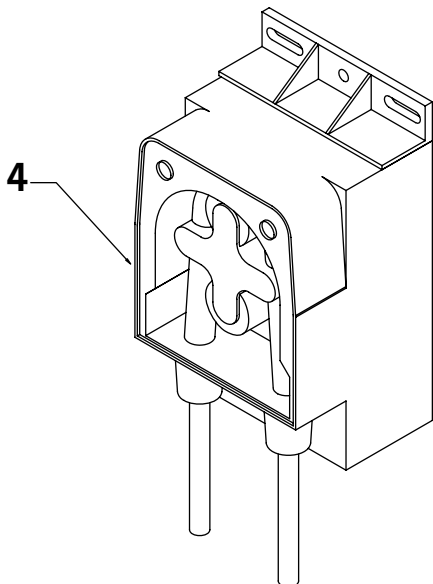
Water connections



Drain pump



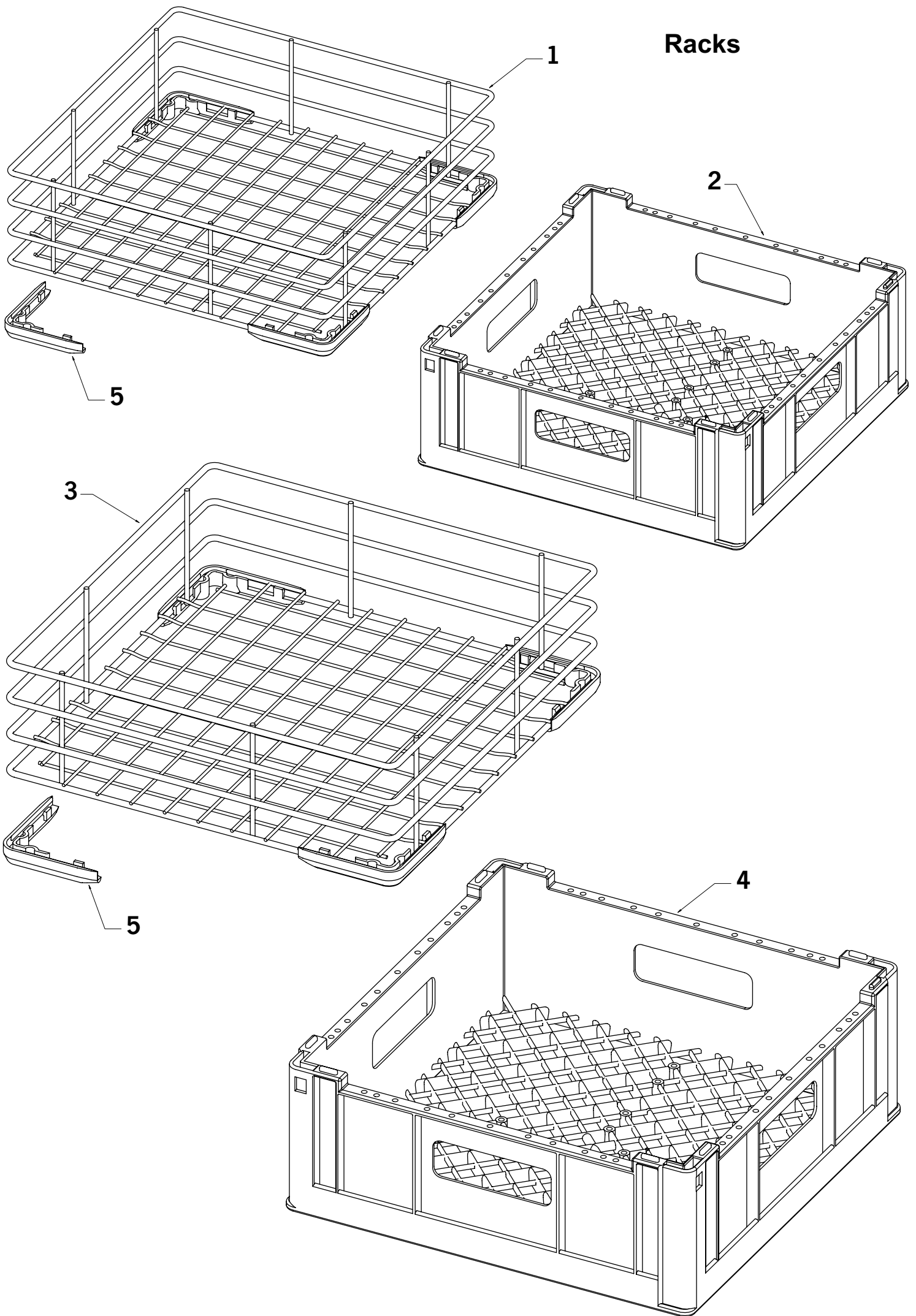
Detergent doser



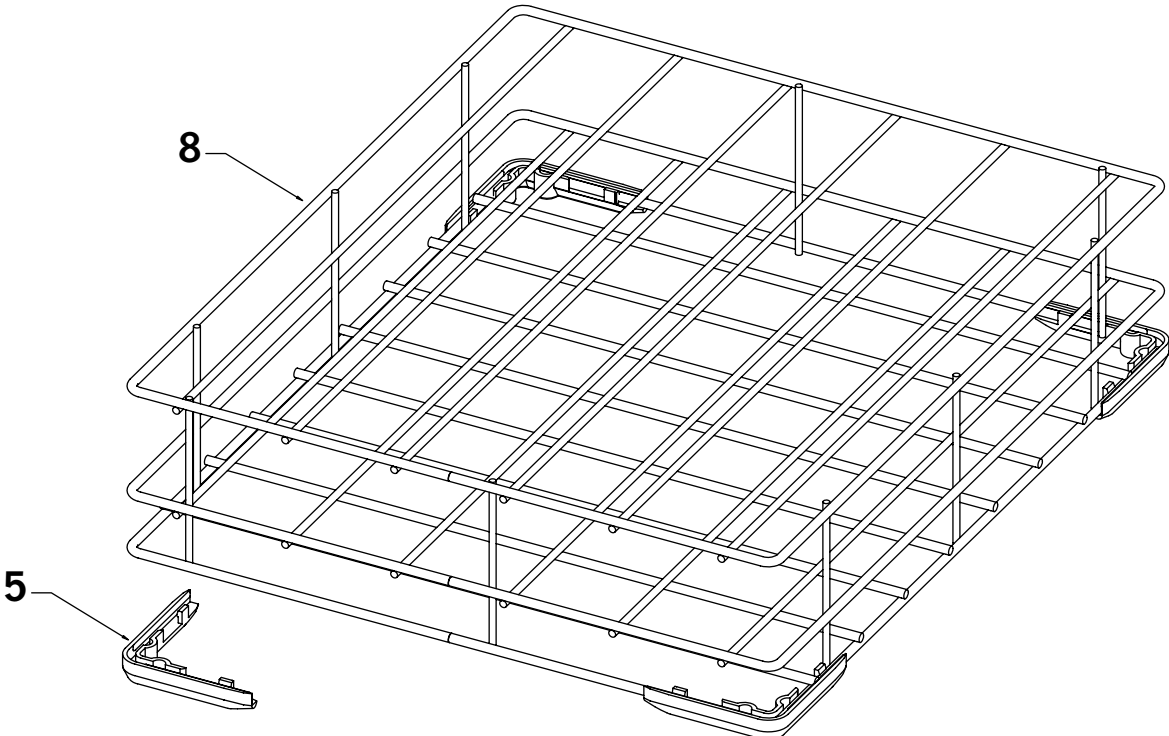
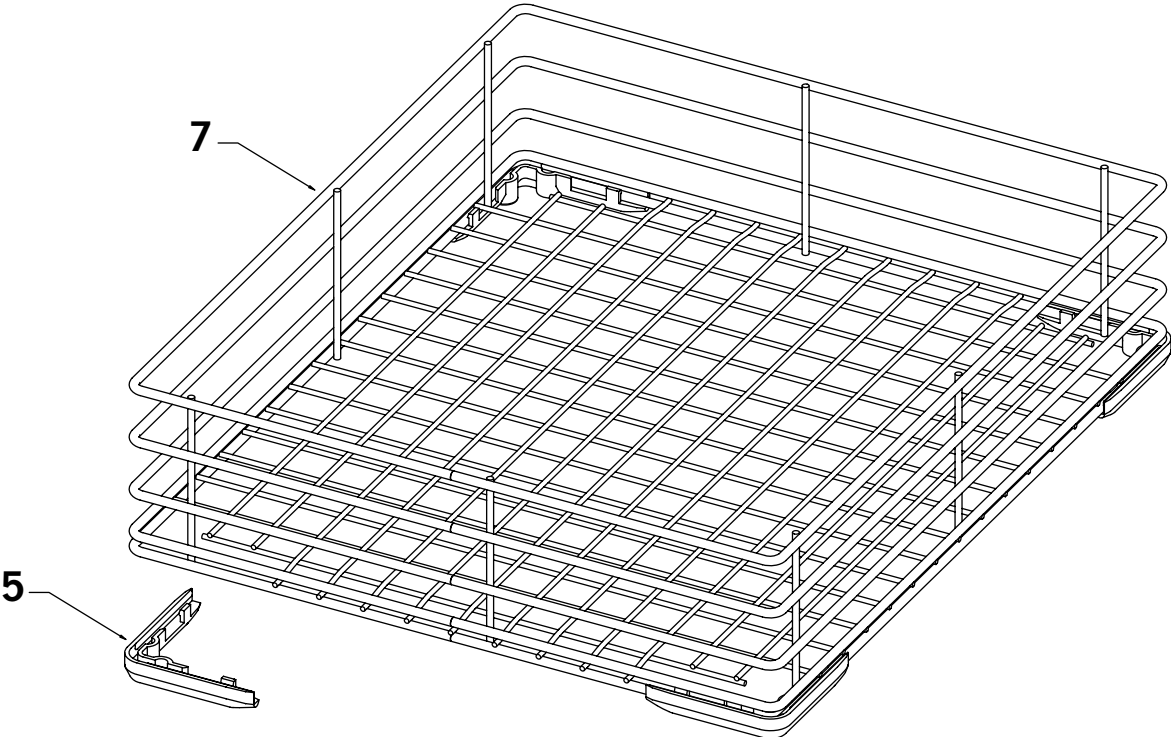
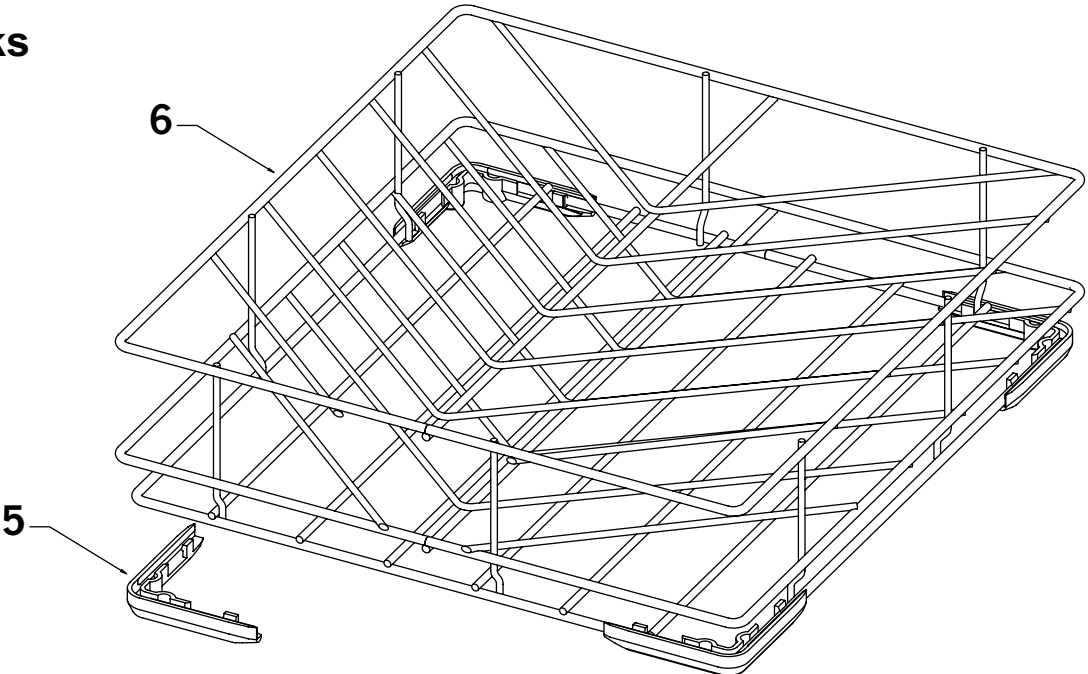
Shared Elements

NUMBER	CODE	DENOMINATION
1	A040282G	DRAINING HOSE 2 MTS. (LC-3800/4200)
1	A040280	DRAIN HOSE 1,5 M LC-80/140/1000/1500/1700/2000/2300/2300TR/2600/2800)
2	A040283	WATER INTAKE HOSE (LC-3800/4200)
2	A040281	1,5 M WATER INTAKE HOSE (LC-80/140/1000/1500/1700/2000/2300/2300TR/2600/2800)
3	A020015	DRAIN PUMP
4	A040067	AUTOMATIC DETERGENT DOSER
5	A700113	RINSING AID LIQUID TANK
6	A040219	RINSING AID LIQUID TANK GUIDE
7	A060163	RINSE AID LIQUID TANK ZINCING WASHER 4M
8	A060001	NUT GALVANIZED M4
9	A200002	RINSE AID FILTER ASSEMBLY
10	A040037	FLAT RUBBER GASKET 15*8*2
11	A040126	RINSE AID LIQUID FILTER TANK CONNECTOR
12	A050007	RINSING AID LIQUID STEEL LATICE FILTER
13	A040038	RINSE AID FILTER INTERIOR RUBBER GASKET
14	A040127	RINSING AID LIQUID OUTLET CONNECTOR
15	A040325	RINSING AID LIQUID DOSER PLASTIC FILTER
16	A070303	NYLON Q-TIES REF.: 2221
17	A050190	STAINLESS STEEL DOOR STOP REF.20X15-0,8
18	A040105	PLASTIC TUBE
19	A040224	RINSING AID LIQUID TANK (LC-80/140)

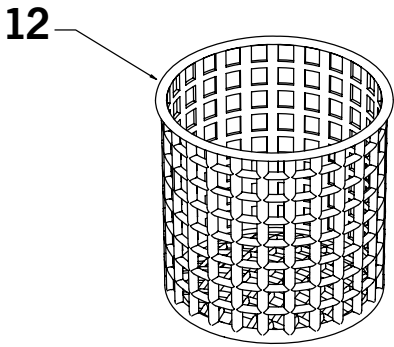
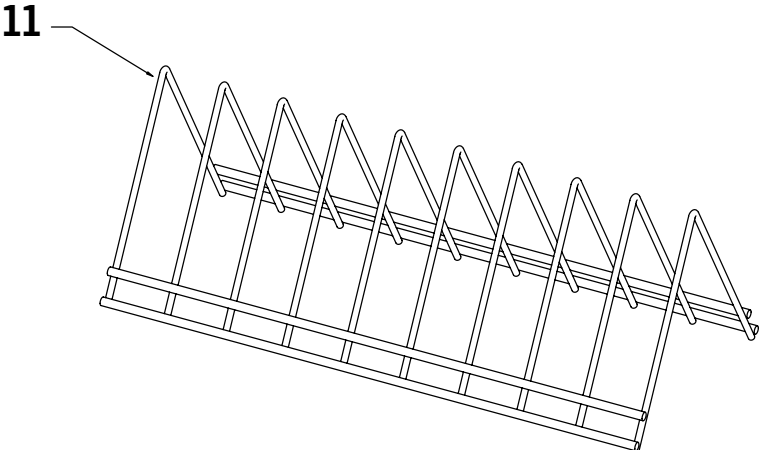
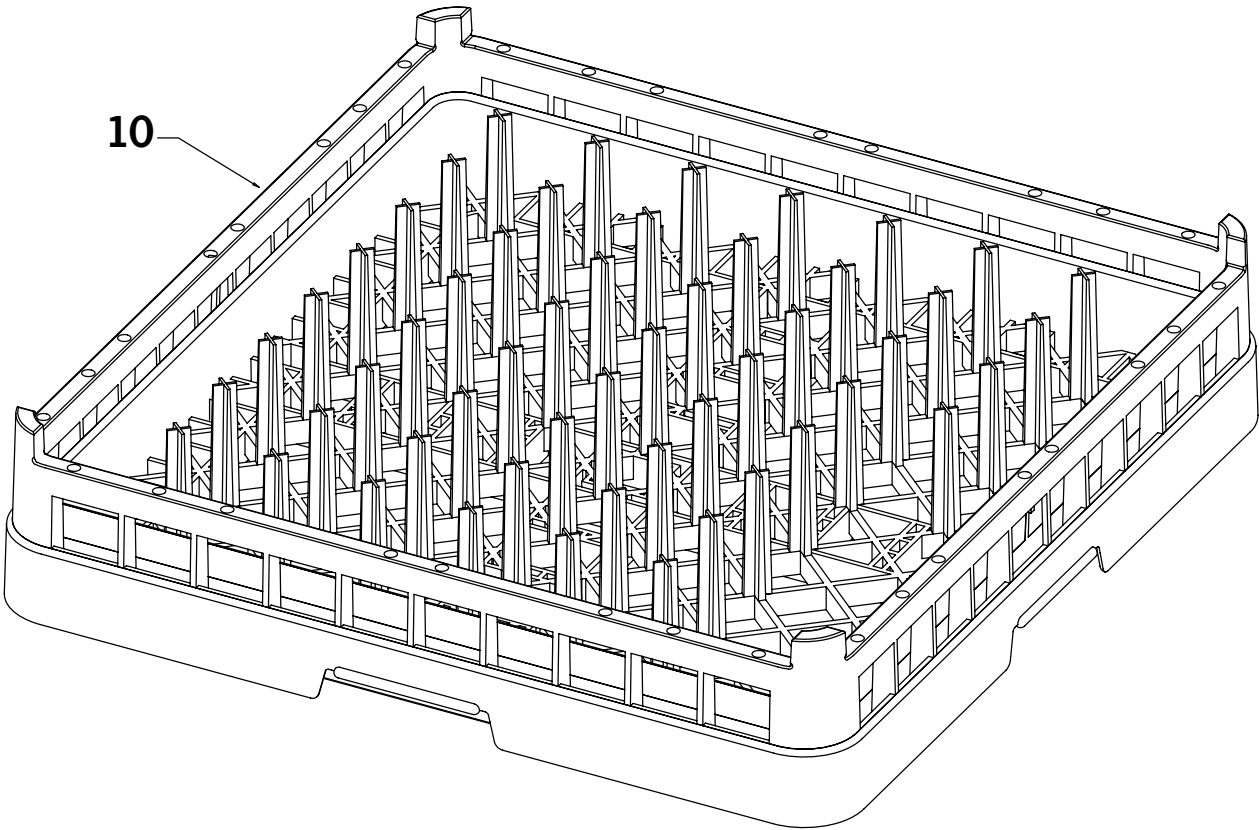
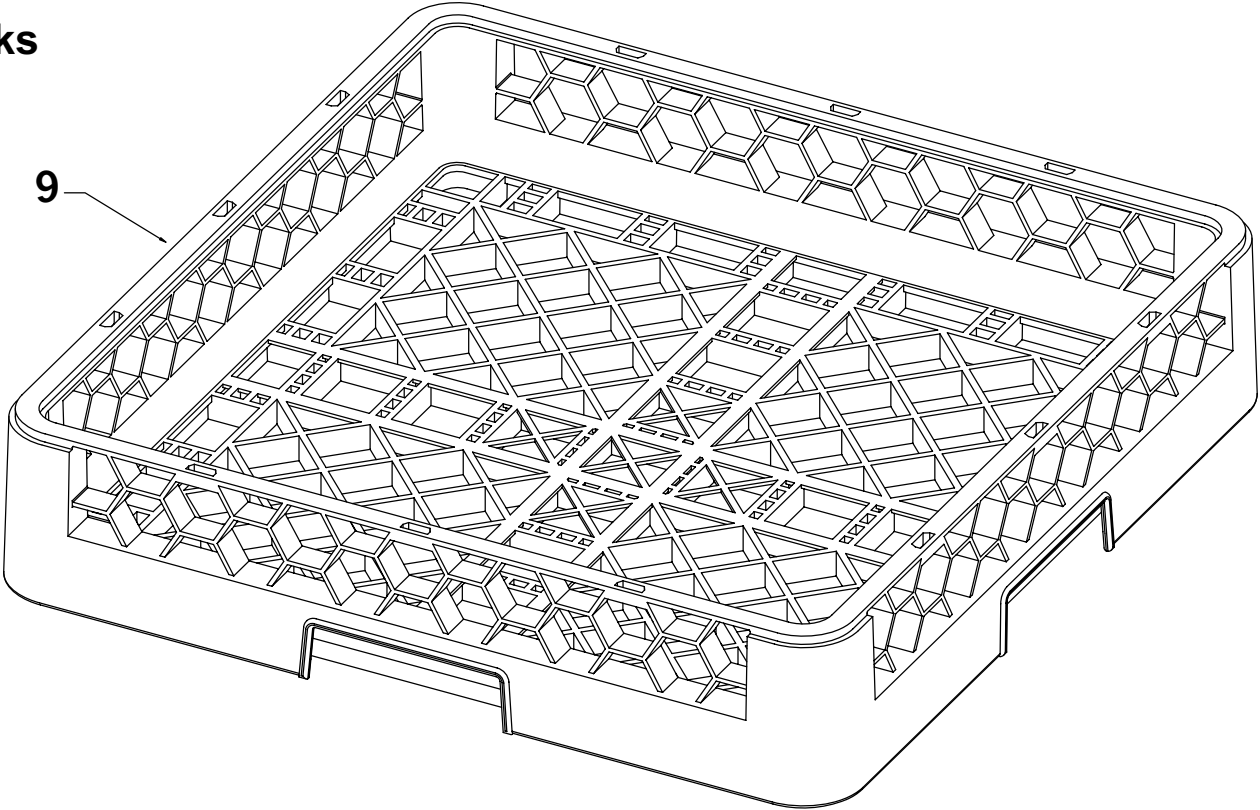
Racks



Racks



Racks



Racks

NUMBER	CODE	DENOMINATION
1	A050350	RACK FOR GLASSES (RODS) (OPTIONAL LC-80/1000)
2	A050350P	RACK FOR GLASSES (PLASTIC) (LC-80/1000)
3	A050306	WIRE RACK FOR GLASSES (400X400) (OPTIONAL LC-140/1500/1700)
4	A050306P	RACK FOR GLASSES (PLASTIC) (LC-140/1500/1700)
5	A040242	PLASTIC CORNERS (LC-80/1000/1500/1700/2000)
6	A050341	WIRE RACK FOR SMALL SIZE COFFEE DISHES (LC-1700 AND OPTIONAL FOR LC-1500)
7	A050307	WIRE RACK FOR GLASSES LC-2000
8	A050320	WIRE RACK FOR DISHES LC-2000
9	A050308	RACK FOR GLASSES (PLASTIC) 500X500 (LC-2300/2300TR/2600/2800/3800/4200)
10	A050321	RACK FOR DISHES (PLASTIC) 500X500MM (LC-2300/2300TR/2600/2800/3800/4200)
11	A050345	SMALL RACK FOR DISHES (LC-80/140/1000/1500/3800/4200)
12	A050346	CUTLERY BASKET (FOR ALL MODELS)